

TVP-WM-PM

TruVision PTZ dome pole mount adapter

Overview

The TVP-WM-PM is a pole mount accessory to be used in combination with the TVP-WMB or GEA-102. This pole mount accessory allows for a PTZ camera to be mounted onto a pole and can provide the user with a greater field of view when observing large areas.



Details

- Pole mount adapter for TruVision PTZ brackets
- Compatible with TVP-WMB or GEA-102

TVP-WM-PM

TruVision PTZ dome pole mount adapter

Technical specifications

General

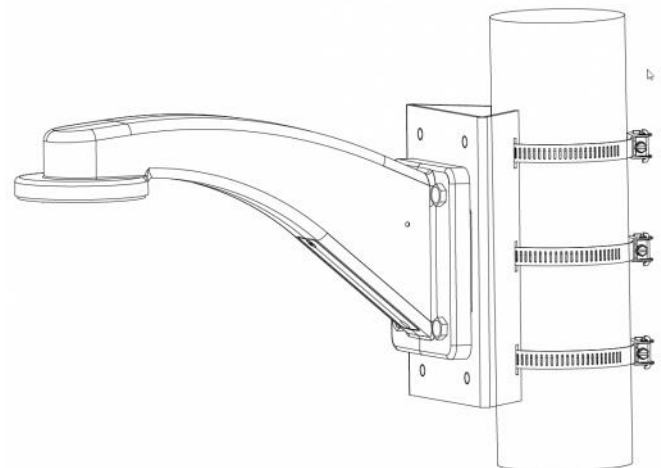
Bracket type	Camera
Camera support type	PTZ camera, TruVision bracket
Bracket mounting part	Mounting adapter
Mount type	Pole mount

Physical

Physical dimensions	194 × 126 × 46 mm
	7.64 × 5.06 × 1.81 in.
Net weight	1178 g
	2.6 lb.

Compatible products

Wall mount brackets	TVP-WMB, GEA-102
---------------------	------------------



As a company of innovation, UTC Fire & Security reserves the right to change product specifications without notice. For the latest product specifications, visit UTC Fire & Security online or contact your sales representative.

30 April 2019 - 12:36