

# DC102

## DC102 ARITECH (FORMERLY 1085T-N4)

### Easy Installation

---

The DC102-series are ideal for residential and commercial applications where terminal connections are preferred. The unit features positive clamping terminals with anti-rotation lugs and captured screws with combination heads. These features allow for easy, quick installations.

### Comprehensive Range

---

The range includes wide gap, SPDT and biased versions for higher security. This makes it one of the most popular contacts available in the industry today.

### Durability and dependability

---

These high performance magnetic contacts have been designed to facilitate installation and ensure durability and dependability. Most are conservatively rated at 10,000,000 cycles, guaranteeing a long life. Every reed connection is hand soldered and each magnetic contact is tested before they leave the factory.

### High quality components and materials

---

Reed legs are plated with rhodium or ruthenium, and hermetically sealed in dry nitrogen. This offers superior protection against sticking and provides a moisture free environment therefore preventing corrosion.



### Details

---

- Ideal for residential and commercial
- Convenient surface mounting
- Versions with built-in resistors available

# DC102

## DC102 ARITECH (FORMERLY 1085T-N4)

### Technical specifications

---

#### General

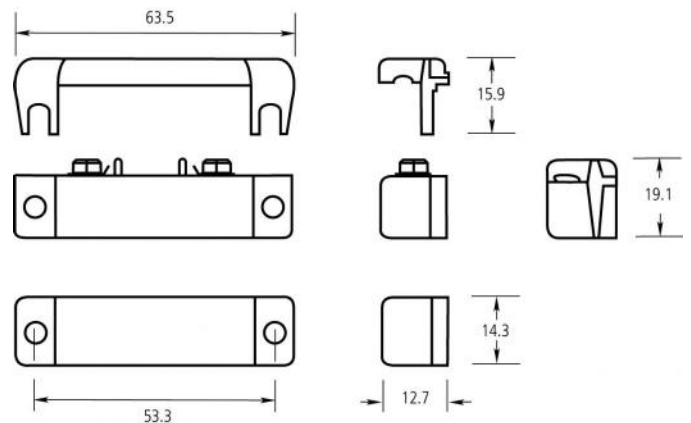
Application type	Surface Mount
Contact type	NC
Connectivity	Screw

#### Wired/wireless

Wired-wireless	Wired
----------------	-------

#### Physical

Physical dimensions	63 x 12 x 19 mm
Colour	White
Operating gap	18 mm



As a company of innovation, UTC Fire & Security reserves the right to change product specifications without notice. For the latest product specifications, visit UTC Fire & Security online or contact your sales representative.