

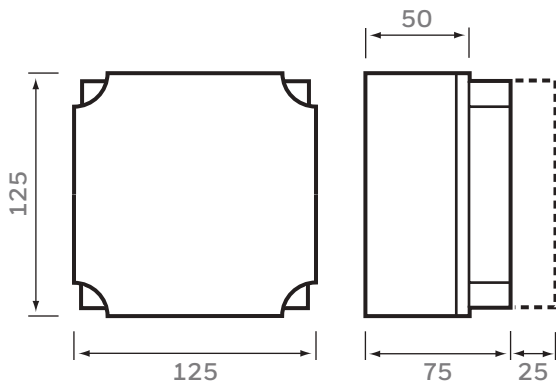
Relays

Relay enclosure to house applications involving switching and timers.

All purpose polycarbonate construction.

Suitable for activating class change or 'start work' signals.

Dimensions (mm)



Description

Low Profile Enclosure.

ORDER CODES		SPECIFICATION	
24V DC DPCO RELAY C/W HIGH PROFILE ENCLOSURE	19107-52	COIL VOLTAGE	24V dc
24V DC RELAY BASE AND DIODE	19104-52	COIL CURRENT	50mA
TIMER OCTAL BASE 2-32 SECS. DOE 24V DC C/W BASE	19106-02	CONTACT RATING 240V AC	6A
ENCLOSURES AND ACCESSORIES FOR RELAYS		CONTACT RATING 24V DC	5A
HIGH PROFILE ENCLOSURE WITH DIN RAIL 125X125X100MM	19100-02	PROFILE	High
		MAX. CAPACITY	4 mini relays
		INGRESS PROTECTION	IP67
		OPERATING TEMPERATURE	Indoor/Outdoor, 0 -40°C

For more information

www.gent.co.uk

Honeywell Gent

140 Waterside Road
Hamilton Industrial Park,
Leicester, LE5 1TN
Telephone: 0116 246 2042
E-mail: gentenquiry@honeywell.com

Content subject to change without notice.

GEN145 | 03/2017
© 2017 Honeywell International Inc.