

Conventional Manual Call Points

Our conventional manual call points are designed to provide a manual alarm interface to conventional fire alarm control panels. All call points are supplied in the standard red colour and are available in semi-flush mounting or surface mounting options. The manual call points are all with a 470 Ohm resistor and Normally Open contact, complete with glass.

Both break glass, and resettable operating elements can be used in the standard unit by a yellow strip on the element which becomes visible when activated.

With the addition of a hinged transparent cover the element may be protected against accidental operation.

A specialist test key may be inserted into the bottom of the unit to lower the glass and release the micro-switch and thus a full functional test is achieved.



Description

Our range of conventional manual call points from Honeywell GENT simplifies installation time.

KEY FEATURES

- Fully compliant with EN54, Part 11
- Re-settable operating element option
- Weather proof IP67
- Semi-flush or surface mounting
- 470 Ohm resistor and Normally Open contact complete with glass
- Resistive and clean contact connections

Conventional Manual Call Points Technical Specifications

ORDER CODES – CONVENTIONAL MCP WITH 470 OHM RESISTOR AND N/O CONTACT

FLUSH MCP 470 OHMS GLASS	XENS-850
SURFACE MCP 470 OHMS RE-SETTABLE	XENS-805
WEATHERPROOF MCP 470 OHMS RESISTOR GLASS	XENS-829
KEY OPERATED, SURFACE MOUNTED C/W BACKBOX	XENS-807
CHANGE OVER CONTACT MCP	XENS-801

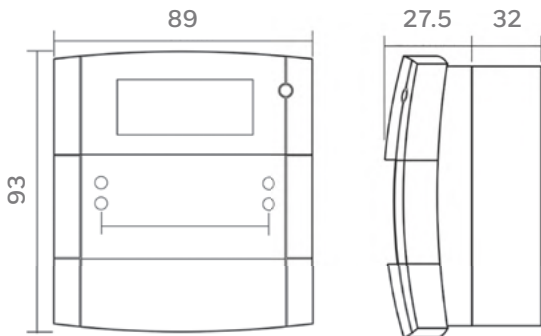
ORDER CODES – NEW MANUAL CALL POINT ACCESSORIES AND SPARES

SPARE GLASSES FOR MCP XENS-800 (PACK OF 10)	XENS-891
RESETTABLE ELEMENT FOR XENS-800 AND XENS-805 (PACK OF 10)	XENS-890
HINGED PROTECTIVE COVER FOR USE ON XENS-800 RANGE (PACK OF 10)	XENS-892
SURFACE BACKBOX FOR XENS-800 RANGE OF MCP (PACK OF 10)	XENS-895
REPLACEMENT KEYS FOR XENS-807 K/S MCP (PACK OF 10)	XENS-893
PACK OF TEST KEYS (PACK OF 10)	XENS-899

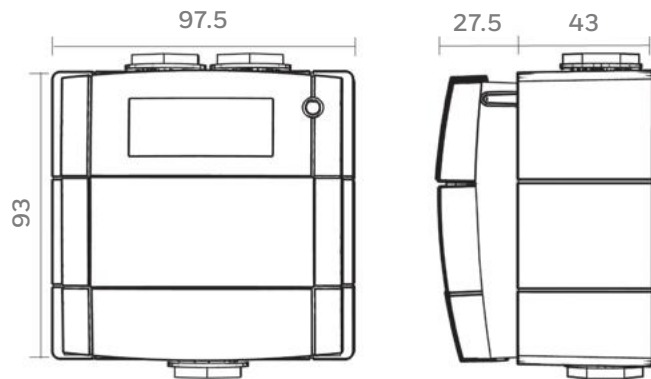
SPECIFICATION

	STANDARD	WEATHERPROOF
WEIGHT	180g (130g Semi-flush)	240g
CURRENT RATING	2A (switching only)	2A (switching only)
OPERATING VOLTAGE	30VDC maximum	30VDC maximum
DIMENSIONS MM (H X W X D)	Semi-flush mounted 93 x 89 x 59.5	-
OPERATING TEMPERATURE	-10°C to +55°C	-30°C to +70°C
RELATIVE HUMIDITY	93+ 3% non-condensing	0-95% non-condensing
INGRESS PROTECTION (IP) RATING.	IP24D	IP67

Dimensions (mm): Standard MCP, surface mounted



Dimensions (mm): Waterproof MCP



For more information

www.gent.co.uk

Honeywell Gent

140 Waterside Road
Hamilton Industrial Park,
Leicester, LE5 1TN
Telephone: 0116 246 2042
E-mail: gentenquiry@honeywell.com

Content subject to change without notice.

GEN128 | 01/2017
© 2017 Honeywell International Inc.

fescom
engineering co. ltd.

Honeywell
GENT