

Conventional Fire Systems

Vision 2020F

58°C Fixed Temperature Heat Detector



The 2020F 58°C Fixed Temperature Heat Detector is part of the Vision range of detectors. Vision is a range of conventional detectors, which have been produced using the latest in manufacturing technology and supplied with an array of installer-friendly advanced features, making them ideal for all your conventional fire detection requirements.

The 2020F 58°C Fixed Temperature Heat Detector uses a state of the art heat element combined with an application specific integrated circuit (ASIC) to provide quick and accurate detection of fires. The detector incorporates a static element and is suitable where ambient conditions normally exhibit rapid changes in temperature e.g. kitchens.

A hand held laser tool can also be used in conjunction with the Vision range of detectors for triggering the Vision detector. With a range of several metres, the hand held unit provides an effortless way of remotely triggering the Vision detector.

Features and benefits

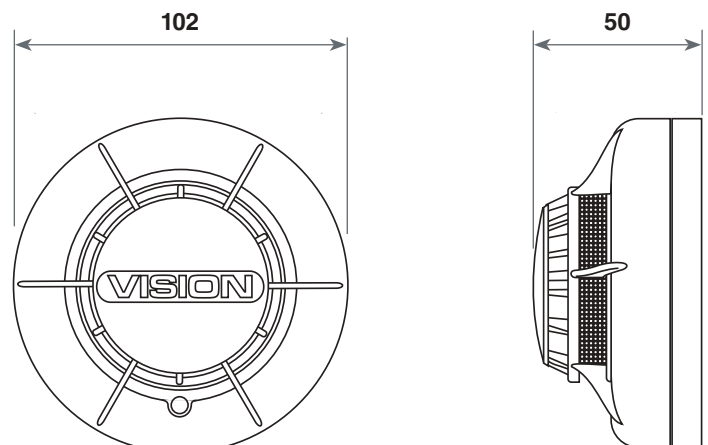
- Low profile design
- Low current draw
- Easy maintenance
- Range of detector bases available
- Remote LED Option
- Approved to EN54 – 5:2000 (Amendment 1) Class A2S
- Remote alarm trigger feature

The 2020F Detector also has an integral LED, which illuminates to provide a local alarm signal. This latches on, and remains illuminated until the detector is reset by a momentary power interruption. An optional remote LED annunciator may be used to repeat any alarm signal.

A variety of detector bases can be used with the 2020F Detector, providing application flexibility and compatibility with a wide range of conventional fire alarm panels.

Please note: the laser triggering tool does not negate the requirement to test the detector as specified in BS 5839 Pt 1:2013.

Dimensions



Conventional Fire Systems

Vision 2020F

Technical Specifications

ELECTRICAL	
Operating Voltage Range	14 to 28VDC (Nominal 24VDC)
Maximum Standby Current @ 25°C	70µA @ 24VDC
Maximum Alarm Current	70mA @ 28VDC
ENVIRONMENTAL	
Application Temperature Range (see note 1)	-30°C to +70°C
Humidity	5 to 95% Relative Humidity (non-condensing)
MECHANICAL	
Height	40.5mm (plus 9.5mm for standard base)
Diameter	102mm
Weight	70g (plus 45g for standard base)
Max Wire Gauge for Terminals	0.4mm ² to 2.0mm ²
Colour	Approximates RAL9016
Material	ABS
Standards	EN54 Part 5
Approvals	LPCB Approved and CE Approved

ORDER CODES	
2020F	58° Fixed Temperature Heat Detector
BASES	
2020B	Standard Base – adds 9.5mm to detector height
2020DB	Deep Base – adds 21mm to detector height
2020BSD	Standard Base with Schottky diode
2020DBSD	Deep Base with Schottky diode
ACCESSORIES	
2020LT	Laser Triggering Tool

NOTE: 1. To avoid unwanted alarm conditions being triggered by class A1R detectors, the maximum ambient operating temperature should not exceed 45°C.

2. It is essential to ensure that only known compatible components are used in a fire detection system. If in doubt, always consult the fire control panel supplier/manufacturer.

Honeywell Life Safety Systems

Tel: +44 (0) 116 246 2000
Fax: +44 (0) 116 246 2300
Email: ukorders@honeywell.com
140 Waterside Road
Hamilton Industrial Park
Leicester
LE5 1TN

May 2014
© 2014 Honeywell International Inc.



Conventional Fire Systems

Vision 2020HF

78°C Fixed Temperature Heat Detector



The 2020HF 78°C Fixed Temperature Heat Detector is part of the Vision range of detectors. Vision is a range of conventional detectors, which have been produced using the latest in manufacturing technology and supplied with an array of installer-friendly advanced features, making them ideal for all your conventional fire detection requirements.

The 2020HF 78°C Fixed Temperature Heat Detector uses a state of the art heat element combined with an application specific integrated circuit (ASIC) to provide quick and accurate detection of fires. The detector incorporates a static element and is suitable where ambient conditions normally exhibit rapid changes in temperature above 45°C e.g. boiler houses.

A hand held laser tool can also be used in conjunction with the Vision range of detectors for triggering the Vision detector. With a range of several metres, the hand held unit provides an effortless way of remotely triggering the Vision Detector.

Features and benefits

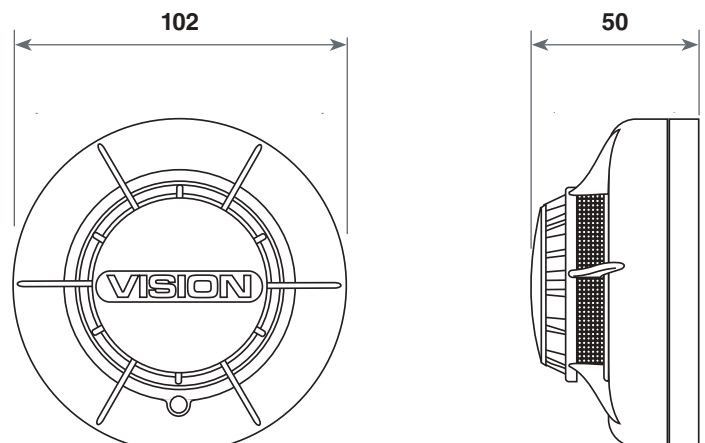
- Low profile design
- Low current draw
- Easy maintenance
- Range of detector bases available
- Remote LED Option
- Approved to EN54 – 5:2000 (Amendment 1) Class BS
- Remote alarm trigger feature

The 2020HF Detector also has an integral LED, which illuminates to provide a local alarm signal. This latches on, and remains illuminated until the detector is reset by a momentary power interruption. An optional remote LED annunciator may be used to repeat any alarm signal.

A variety of detector bases can be used with the 2020HF Detector, providing application flexibility and compatibility with a wide range of conventional fire alarm panels.

Please note: the laser triggering tool does not negate the requirement to test the detector as specified in BS 5839 Pt 1:2013.

Dimensions



Conventional Fire Systems

Vision 2020HF

Technical Specifications

ELECTRICAL	
Operating Voltage Range	14 to 28VDC (Nominal 24VDC)
Maximum Standby Current @ 25°C	75µA @ 24VDC
Maximum Alarm Current	70mA @ 28VDC
ENVIRONMENTAL	
Application Temperature Range (see note 1)	-30°C to +70°C
Humidity	5 to 95% Relative Humidity (non-condensing)
MECHANICAL	
Height	40.5mm (plus 9.5mm for standard base)
Diameter	102mm
Weight	70g (plus 45g for standard base)
Max Wire Gauge for Terminals	0.4mm ² to 2.0mm ²
Colour	Approximates RAL9016
Material	ABS
Standards	EN54 Part 5
Approvals	LPCB Approved and CE Approved

ORDER CODES	
2020HF	78° Fixed Temperature Heat Detector
BASES	
2020B	Standard Base – adds 9.5mm to detector height
2020BSD	Standard Base with Schottky diode
2020DB	Deep Base – adds 21mm to detector height
2020DBSD	Deep Base with Schottky diode
ACCESSORIES	
2020LT	Laser Triggering Tool

NOTE: 1. To avoid unwanted alarm conditions being triggered by class BS detectors the maximum ambient operating temperature should not exceed 65°C.

2. It is essential to ensure that only known compatible components are used in a fire detection system. If in doubt, always consult the fire control panel supplier/manufacturer.

Honeywell Life Safety Systems

Tel: +44 (0) 116 246 2000
 Fax: +44 (0) 116 246 2300
 Email: ukorders@honeywell.com
 140 Waterside Road
 Hamilton Industrial Park
 Leicester
 LE5 1TN

May 2014
 © 2014 Honeywell International Inc.

