

2 MP

WiFi-enabled

Up to 10-Year Warranty

# Avigilon Flex cloud cameras

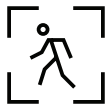
Cost-effective, cloud-based flexibility



The AI-powered, cloud-native Avigilon Flex wireless camera provides smart, enterprise physical security features in an affordable, easy-to-install package to provide security to small business, retail stores, and other distributed businesses.



Compliant with NDAA 2019 Section 889



## See and understand more

Utilize image recognition and machine learning to detect anomalies in real-time, allowing for proactive notifications before issues escalate.



## Identify critical sounds

Enhance your situational awareness with built-in audio analytics that expand your security coverage beyond the visual range.



## Understand sensory insights

Integrated image, audio and environmental sensors to improve indoor spaces, protect equipment and reduce the loss of goods.



## Install virtually anywhere

Simplify installation with a simple plug-and-play setup that eliminates pre-configuration and offers wireless connectivity. Quickly onboard the camera to Alta Video by scanning a QR code.



## Access from anywhere, securely

Manage and view your cameras easily at any time using the Alta Video platform. Stay up-to-date with automatic firmware updates and reduce the need for maintenance.

To learn more, visit [avigilon.com/security-cameras/ava-flex](https://avigilon.com/security-cameras/ava-flex)



## Specifications

Image performance		2 MP
Image sensor		1/2.7"
Active pixels (H x V)		1920 × 1080
Aspect ratio		16:9
Dynamic range		100 dB (HDR off) up to 120 dB (HDR on)
Max. frame rate (50 Hz/60 Hz)		15fps
Streaming resolutions and bitrates: (H x V)	Maximum	1080p (1920x1080)** 15fps @1.5Mbps
	High	1080p (1920x1080)** 15fps @1.5Mbps
	Medium	360p (640x360) 15fps @ 750Kbps
	Low	512x288 10fps @ 500Kbps
Maximum concurrent streams per camera		8

\*\*These cameras only provide three resolutions: low, medium and maximum. When selecting high resolution, the camera defaults to using the maximum settings.

Lens and IR		2 MP
Lens		3.3 mm, F/1.1
Angle of view (H x V)		110° x 58°
Illumination		Adaptive white light Color night mode
Minimum illumination		<0.1lux



Image control	
Image compression method	H.264
Electronic shutter control	Automatic
Iris control	Fixed
Day/Night control	Automatic, Manual
Flicker control	50/60 Hz
White balance	Automatic

Sensors	
Temperature sensor	Typical Accuracy $\pm 2.5^{\circ}\text{C}$ ( $\pm 4.5^{\circ}\text{F}$ )
Humidity sensor	Typical Accuracy $\pm 5\%$

Network	
Network	100BASE-TX
Cabling Type	CAT5e minimum/WiFi +USB-C
Connector	RJ-45/USB-C
ONVIF <sup>1</sup>	ONVIF compliance, Profile S, Profile T, Profile G, and Profile M ( <a href="http://www.onvif.org">www.onvif.org</a> )
Security	TPM 2.0, Factory-installed certificates, No default passwords, Mandatory access authentication, HTTPS/TLS encryption
Protocol	IPv4, HTTPS, DNS, mDNS, DNS-SD, NTP, RTSP, RTP, RTCP, , DHCP, ARP
Streaming Protocols	RTP/UDP, RTP/RTSP/HTTPS/TCP
Platform Compatibility	Avigilon Alta Video, Avigilon Unity ACC <sup>1</sup> , 3rd party VMS <sup>1</sup>

<sup>1</sup> Requires the camera to be running in ONVIF mode.



## Mechanical

Dimensions - with Ball mount (LxWxH)	Camera and ball mount	3.15" x 3.15" x 3.77" (80mm x 80mm x 96mm)
	Camera only	3.15" x 3.15" x 1.5" (80mm x 80mm x 38mm)
Weight	Camera and ball mount	0.44 lb (202g)
	Camera only	0.31 lb (142g)

## Electrical

Power Consumption	3.5W (Typical) 6W (Maximum)	
Power Source	PoE	IEEE 802.3af, Class 2 compliant
	USB-C	USB-C 1.5A

## Environmental

Operating temperature	32°F to 104°F (0°C to +40°C)
Storage temperature	-40°F to 140°F (-40°C to +60°C)
Environment	Indoor environments/applications only

## Certifications

Safety Standards	UL 62368, UL 62368, LVD
Electromagnetic Emissions Standards	EN 55032, 2014/53/EU, BS NE55032, SI 2017/1206, AS/NZS CISPR 32, FCC Part 15B, ICES-003 Issue 6
Warranty	10 Year Warranty



# Analytics specifications

Detected attributes	
Object Attributes	Any object (Vehicle and person)
	Vehicle Sub-types: <ul style="list-style-type: none"> <li>• Small/Medium Vehicles (sedan, SUV, pickup truck, etc.)</li> <li>• Large Vehicles (bus, truck)</li> <li>• Two-wheeled Vehicles (bicycle, motorcycle)</li> <li>• Unclassified Vehicles</li> </ul> Vehicle color: <ul style="list-style-type: none"> <li>• Only this color</li> <li>• Ignore this color</li> </ul> License plate <sup>1</sup> : <ul style="list-style-type: none"> <li>• Any plate</li> <li>• Exact match</li> <li>• Matches group</li> <li>• Starts with</li> <li>• Ends with</li> <li>• Includes</li> <li>• Exclude &lt;groups&gt;</li> </ul>
	Person: <ul style="list-style-type: none"> <li>• Fall detection (Search only)</li> <li>• Accessories:               <ul style="list-style-type: none"> <li>• With/Without bag</li> </ul> </li> <li>• Clothing color:               <ul style="list-style-type: none"> <li>• Only this color</li> <li>• Ignore this color</li> <li>• Upper body clothing color</li> <li>• Lower body clothing color</li> </ul> </li> </ul> Face <sup>2</sup> : <ul style="list-style-type: none"> <li>• All faces</li> <li>• Select watchlists</li> </ul>

<sup>1</sup> Requires additional license.

<sup>2</sup> Requires additional license. Check national and local legislation for guidance on the use of face search and face watchlists.



## Supported audio events

Audio Events <sup>3</sup>	<ul style="list-style-type: none"> <li>• Glass breaking</li> <li>• Loud noise</li> <li>• Gun shot</li> <li>• Screaming</li> <li>• Smoke alarm</li> <li>• Car alarm</li> <li>• Ultrasound panic alarm</li> <li>• Dog bark</li> <li>• Tire screeching</li> </ul>
---------------------------	--

<sup>3</sup> Requires compatible cameras or microphones.

## Supported analytic rules

Access Control <sup>4</sup>	When integrated with suitable access control systems, create rules for access events.
Anomaly	<p>Rule triggered on detected anomalies based on:</p> <ul style="list-style-type: none"> <li>• Unusual time of day</li> <li>• Unusual location</li> <li>• Unusual velocity</li> <li>• Unusual sound</li> </ul>
Appearance	<p>Any object</p> <p>Vehicle:</p> <ul style="list-style-type: none"> <li>• Type</li> <li>• Color</li> <li>• License plate<sup>5</sup>:             <ul style="list-style-type: none"> <li>• Any plate</li> <li>• Exact match</li> <li>• Matches groups</li> <li>• Starts with</li> <li>• Ends with</li> <li>• Includes</li> </ul> </li> <li>• Use an image</li> </ul> <p>Person:</p> <ul style="list-style-type: none"> <li>• Accessories: With/without Bag</li> <li>• Clothing color</li> <li>• Use an image</li> </ul> <p>Face<sup>6</sup>:</p> <ul style="list-style-type: none"> <li>• All faces</li> <li>• Select watchlists</li> </ul>
Counts	Rule triggered when the count of objects of the selected type either exceeds or is less than the selected threshold.
Line crossing	Crossing a virtual line set up for:



## Supported analytic rules

	<p>Vehicle:</p> <ul style="list-style-type: none"><li>• Type</li><li>• Color</li><li>• License plate:<ul style="list-style-type: none"><li>• Any plate</li><li>• Exact match</li><li>• Matches groups</li><li>• Starts with</li><li>• Ends with</li><li>• Includes</li></ul></li><li>• Use an image</li></ul> <p>Person:</p> <ul style="list-style-type: none"><li>• Accessories: With/without Bag</li><li>• Clothing color</li><li>• Use an image</li></ul> <p>Face:</p> <ul style="list-style-type: none"><li>• All faces</li><li>• Select watchlists</li></ul>
Loitering	Rule triggered when an object of the selected type and attributes loiters in the selected area for the selected period of time.
Point-of-sale <sup>7</sup>	Search/rule set up based on text field and price.
Sensor	<p>Alta Video:</p> <ul style="list-style-type: none"><li>• Humidity</li><li>• Temperature</li></ul>
Sound	Rule triggered when sounds of specified types is detected.
System	<p>Camera issues:</p> <ul style="list-style-type: none"><li>• Any camera<ul style="list-style-type: none"><li>• Camera connection failure (timeout after minutes)</li><li>• Unmet retention period (days)</li></ul></li><li>• Alta camera<ul style="list-style-type: none"><li>• SD card failure</li><li>• Analytics failure</li><li>• Camera top cover removed</li><li>• Camera in recovery mode</li><li>• Camera not storing</li><li>• Image health</li></ul></li></ul> <p>System issues:</p> <ul style="list-style-type: none"><li>• Internal appliance issues:<ul style="list-style-type: none"><li>• Cloud Connector connection issues</li><li>• Software issues</li><li>• Disk failures</li><li>• Disk missing</li></ul></li></ul>



## Supported analytic rules

- Disk space
- Audi log storage limit (%)
- External connection issues:
  - Cloud connection
  - Access control connection

<sup>4</sup> License not required for Alta Access integration

<sup>5</sup> Requires additional license.

<sup>6</sup> Requires additional license. Check national and local legislation for guidance on the use of face search and face watchlists.

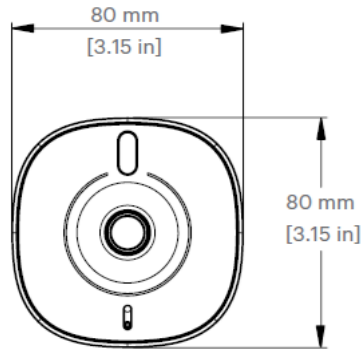
<sup>7</sup> Requires additional license and integration.



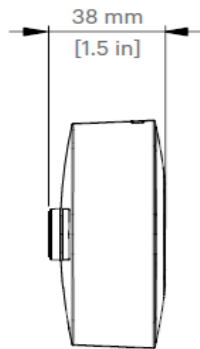
# Outline dimensions

[X.X]	INCHES
X	MM

## Camera body – Front view

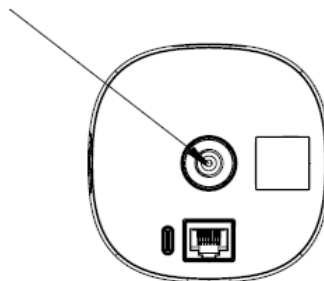


## Camera body – Side view



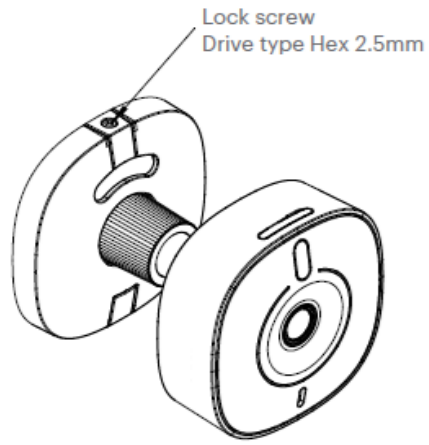
## Camera body – Rear view

Threaded insert  
1/4 in -20 UNC  $\nabla$  5 mm [0.23 in]

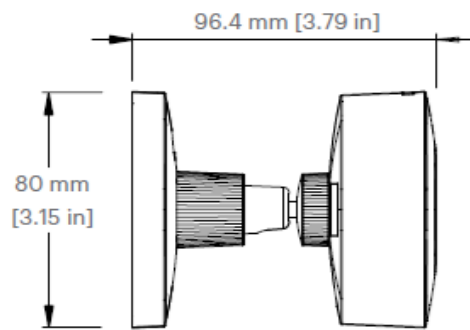


## Camera and ball mount – Front view

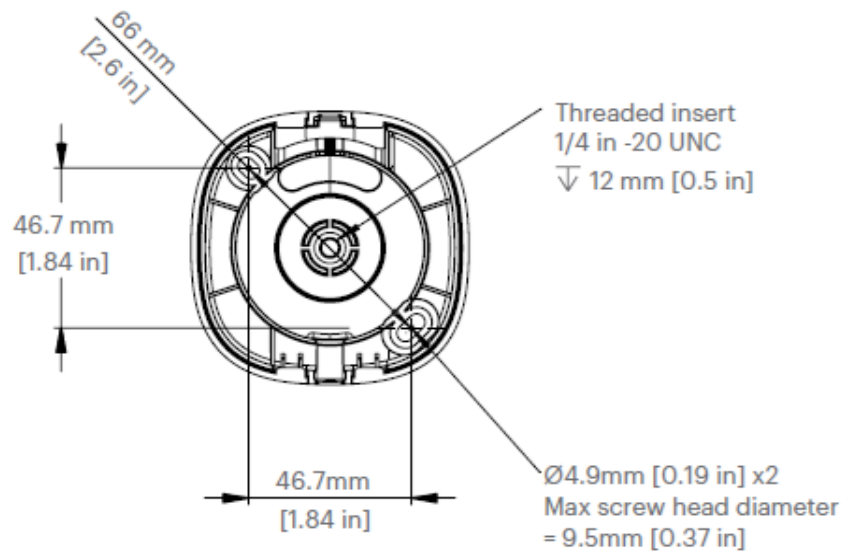




Camera and ball mount – Side view



Camera and ball mount – Rear view



## Ordering information

PID	MP	Illumination	Color	Storage (Days)
FLEX-2MP-7	2.0	White light	White	7 <sup>1</sup>

<sup>1</sup> 30 days cloud storage

## Accessories

Description	PID	Color
Drop ceiling mount	ACC-DRO-CEI	N/a
PoE Injector (15W)	ACC-POE-15W-US ACC-POE-15W-UK ACC-POE-15W-EU	Black



# Support

For product support, visit: [avigilon.com/support](https://www.avigilon.com/support) or to contact Sales, email [sales@avigilon.com](mailto:sales@avigilon.com).

To learn more, visit: <https://www.avigilon.com/security-cameras/ava-flex>, or to read the customer documentation, see [docs.avigilon.com/bundle/alta-video/page/Products/Cameras.htm](https://docs.avigilon.com/bundle/alta-video/page/Products/Cameras.htm).

Nov 2025 | Rev 2



Motorola Solutions, Inc. 500 West Monroe Street, Chicago, IL 60661 U.S.A. [motorolasolutions.com](https://www.motorolasolutions.com)

© 2025, Avigilon Corporation. All rights reserved. MOTOROLA, MOTO, MOTOROLA SOLUTIONS and the Stylized M Logo are trademarks or registered trademarks of Motorola Trademark Holdings, LLC and are used under license. All other trademarks are the property of their respective owners.

20251127-en